

RFT-897

HDMI to IP streamer

User Manual



1. Purpose of use

RFT-897 is HD compatible IP streamer designed for a processing HDMI signals to data broadcast (IP) connected to Ethernet.

Three models are available RFT-897-1 (1 HDMI input), RFT-897-2 (2 HDMI inputs) and RFT-897-3 (3 HDMI inputs).

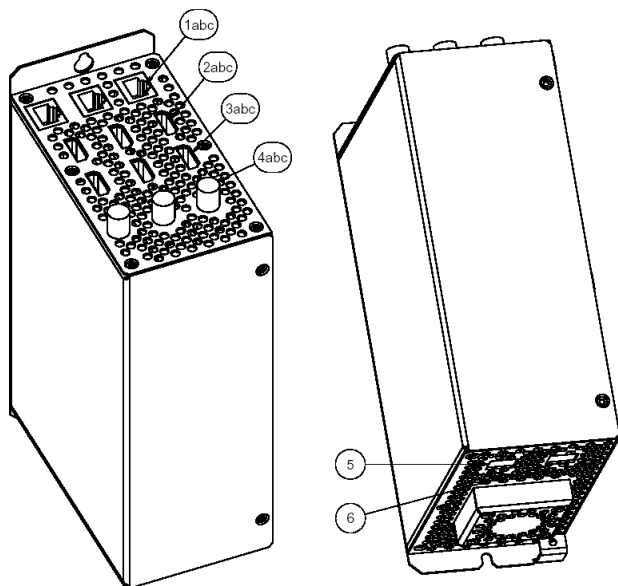
The programs can be received with Videolan's VLC Media Player (www.videolan.com), Ipad, Iphone, Android tablets, IP STB or Smart TV.

NOTE! If unit is long time without input signal, power will switch OFF. Then The unit will restart with POWER OFF and POWER ON.

If there is interference in the picture after resolution is changed, then switche POWER OFF and ON.

2. Installation

The connections are shown in Fig 1.



- 1 a (ch1),b (ch2),c (ch3). RJ 45 connector to Ethernet
- 2 a (ch1),b (ch2),c (ch3). HDMI input
- 3 a (ch1),b (ch2),c (ch3). HDMI output for monitoring
- 4. Not in use
- 5 a and b. Power supply connectors
- 6. Alternative power supply connector
- 7. Led; red = booting or error, green = encoding

RFT-897 is mounted directly on the wall. Do not cover the air passage holes.

HDMI signal(s) are connected to HDMI connector(s). NOTE! Maximum input resolution is 1080i. Resolution 1080p can not be used.

Power supply unit can be connected either connector 6. (black) or connector 5. (green). Connector 5b. is for loop-through.

Ethernet cable from connector 1. is connected to router/switch, which must support IGMP.

3. Setting up the system

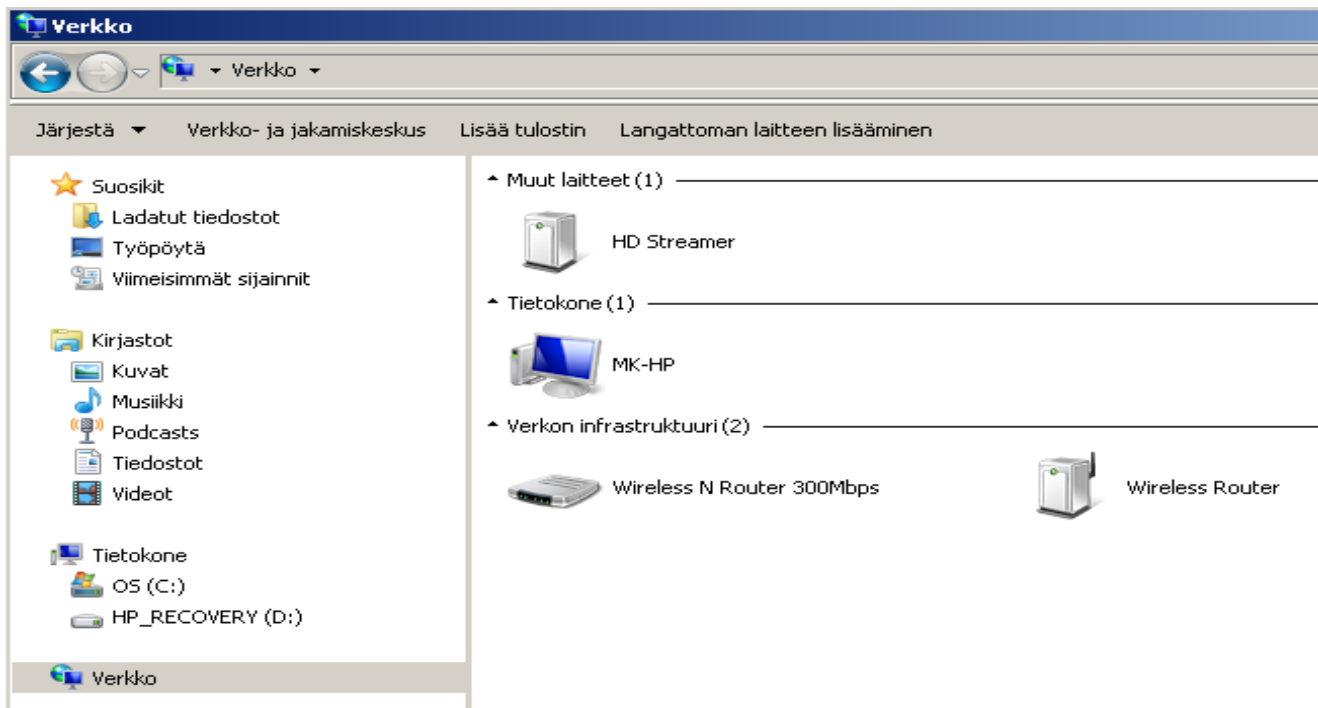
The system is programmed with PC via Web browser.

The simplest way to open web browser and type 192.168.0.191.

When prompted for the login and password, then write “webadmin” .

Another way is to go Control Panel/Network and Internet Connections/ Network and Sharing Center.

Then you get following window:

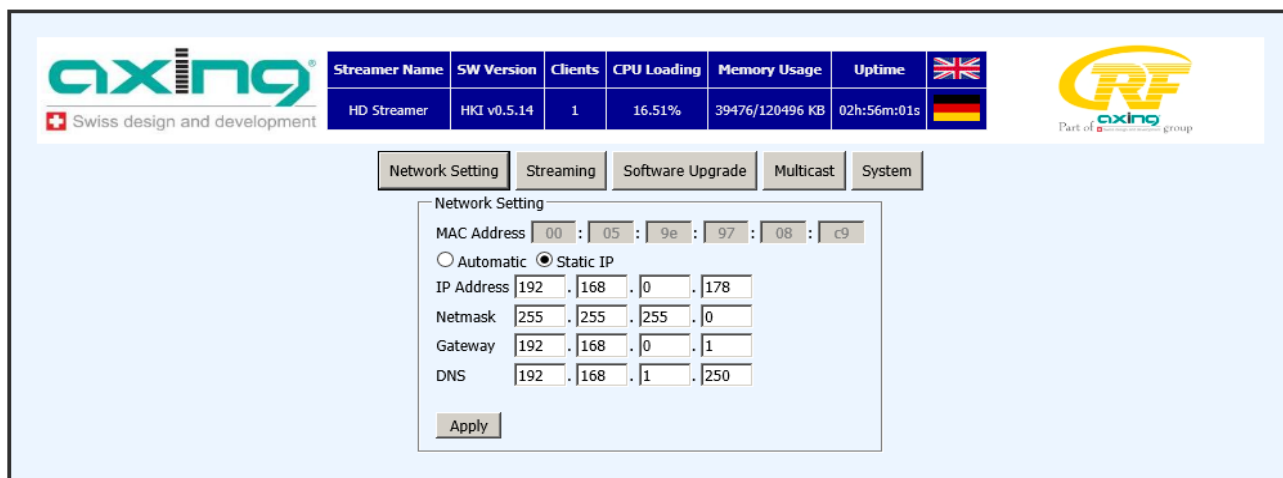


Select with the mouse secondary button (right) HD Streamer and select Open web page.

When prompted for the login and password, then write “webadmin” .

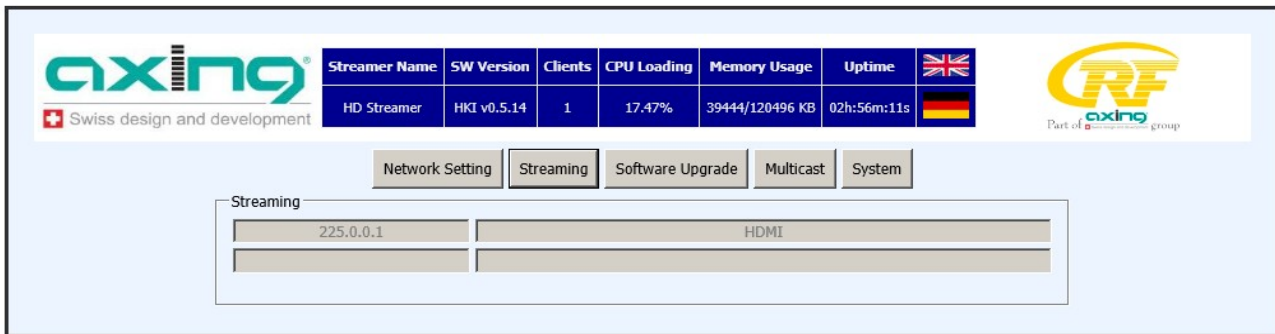
4. Configuration

4.1 Network setting



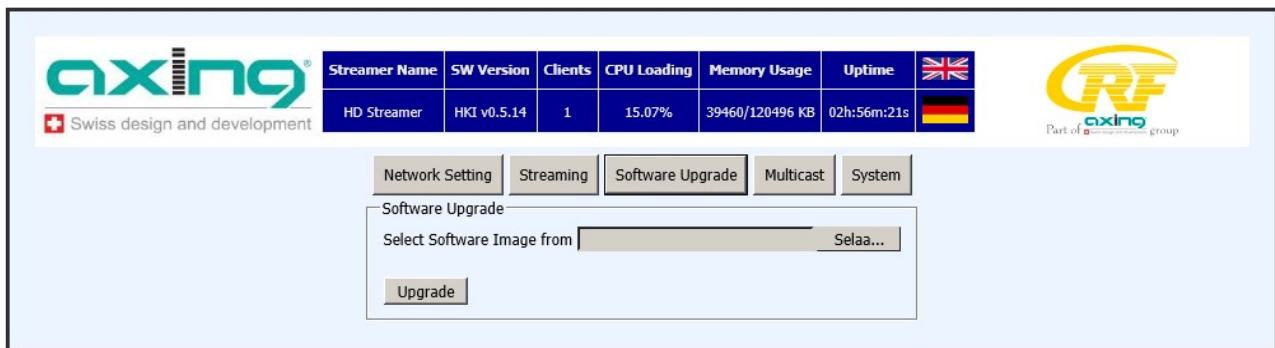
Static IP address 192.168.0.191 is the factory default of RFT-897-1. RFT-897-2 second factory set IP address is 192.168.0.192 and third factory set IP address of RFT-897-3 is 192.168.0.193. If several RFT-897 units are used, factory set IP addresses must be changed.

4.2 Streaming



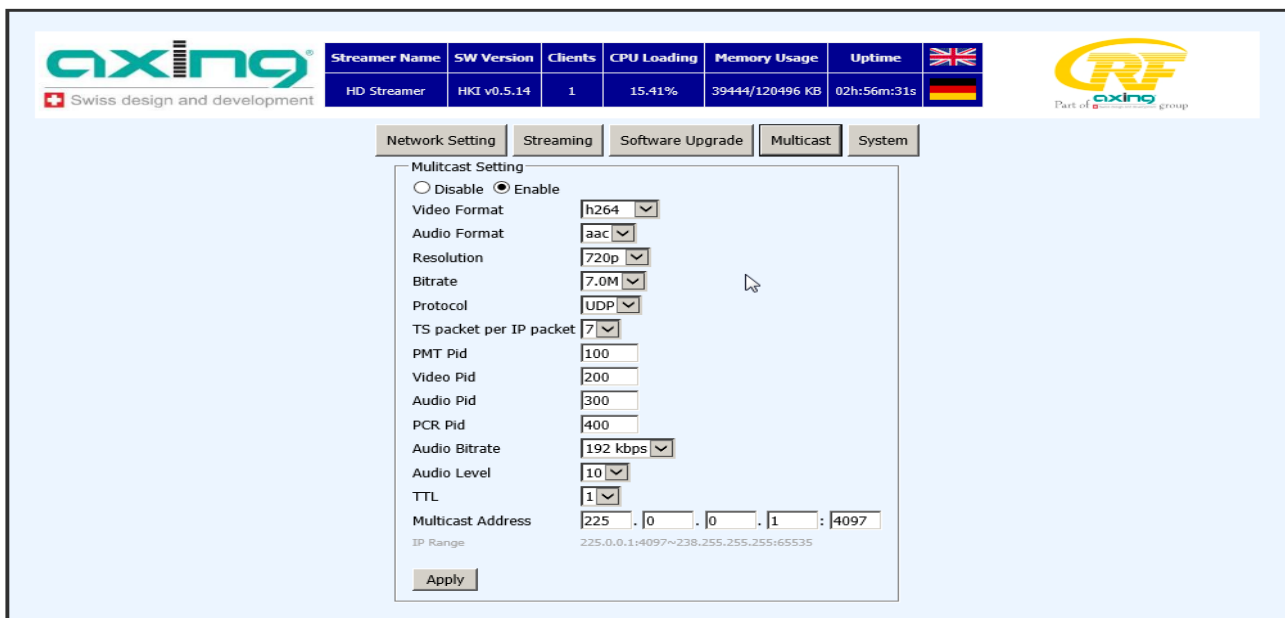
This window shows the streaming IP address.

4.3 Software upgrade



Select software and then Upgrade

4.4 Multicast



Factory set multicast addresses are 224.0.0.1:1234 (ch1), 224.0.0.2:1234 (ch2), 224.0.0.3:1234 (ch3),

Following options are available:

- Video format MPEG-2 or MPEG-4 (h264)
- Audio format aac
- Resolution 576i, 576p, ... 1080i. NOTE! Some displays do not support interlaced resolution. 1080p resolution is not supported. MPEG-4/720p is recommended in IPTV networks.
- Bitrate 1,5 Mbit/s 9Mbit/s
- Protocol UPD or RPT. UDP is recommended.
- TS packet per IP packet 1 ...7
- PMT Pid
- Video Pid
- Audio Pid
- PCR Pid
- Audio bit rate 192
- Audio level 0 ...10 (10 is max.)
- TTL (Time To Live) 1 ...6
- Multicast address. IP address/port range is from 224.0.0.1:1234 to 238.255.255.255:65353

When any of parameter is changed, press APPLY to store selection.

4.5 System

The screenshot displays the AXING web interface. At the top left is the AXING logo with the tagline 'Swiss design and development'. To the right is a status table:

Streamer Name	SW Version	Clients	CPU Loading	Memory Usage	Uptime	Flags
HD Streamer	HKI v0.5.14	1	15.64%	39428/120496 KB	02h:56m:46s	UK, DE

Below the table are navigation tabs: Network Setting, Streaming, Software Upgrade, Multicast, and System. The 'System' tab is active. The system settings section includes:

- UUID:** A text field containing the value '53e9ba3a-df98-3776-b2be-30537101746d'.
- Encryption:** Radio buttons for 'Disable' (selected) and 'AES 128bits + SSL'. An 'Apply' button is below.
- Change WebUI Password:** Three input fields for 'Old Password', 'New Password', and 'Repeat New Password'. An 'Apply' button is below.
- System Reboot:** A 'System Reboot' button.
- System Logout:** A 'Logout' button.

Following option are available:

- UUID unit ID
- Encryption
- Password
- System reboot
- Logout



4. Technical specification

VIDEO ENCODER	MPEG-2, MPEG-4 H.264 AVC
Max. bitrate	9 Mbit/s

AUDIO ENCODER	AAC
Max. bitrate	256 kbps

DATAHANDLING AND DE-MULTIPLEXING

Encapsulation	SPTS
Multicast address filters	128

LAN INTERFACE

Connector	RJ45
Speed	10/100/1000 autosensing

GENERAL

Power consumption	16VDC/1,1A
Dimensions	71mm*214mm*149mm



This symbol on the product or on its packing means that within the European Union the product must be taken to separate collection at the product-end-of life.

Do not dispose of these products as unsorted municipal waste.

For more information about where you can drop off your waste equipment for recycling, please contact your local city office, your house disposal service or the shop where you purchased the product.